

FLUID HANDLING

TC Series T-Stand

A permanently mounted, continuous-duty system for critical applications, difficult to access equipment, or it can serve as a maintenance station.



Overview

The T-Stand:

Where It's Used

- Decontaminating systems
- Collecting oil samples for analysis

What Can I Customize?

- Flow rates
- Sample valves
- Color
- Type of strainer
- Power configurations
- Filter media types and sizes
- Type of power phase - single or three

Product Features

Canisters:

Heavy-duty, industrial style with bolt-down lids and heavy gauge cylinder walls. These canisters can accept various size high-capacity microfiber glass, depth, water removal and molecular sieve elements and can be changed very easily.

Pump:

Continuous-duty gear pump; 1-40gpm flow rates available

Motor:

Washdown, heavy duty

Switch:

NEMA 4 industrial-duty

Viscosity Range:

Up to ISO VG 680 (4000sus at 100°F)

Performance

Ambient Operating Temperatures:

- -25°F to 104°F (-32°C to 40°C)

Maximum Oil Temperatures:

- 175°F (79°C)

High Pressure Switch:

- Shuts down the system's motor at 65psi (5.49bar)

Pump Relief:

- Opens at 75psi (5.17bar) pump pressure

Materials:

- Frame: Carbon steel
- Paint: Industrial powder coat
- Fittings: Zinc-plated steel, brass, bronze, stainless steel, cast iron
- Pumps: Steel, Buna-N, iron, Viton®, graphite
- Hoses: EPDM or nitrile

Weight:

- Approximately 260-650lbs/
118 to 295Kg (will vary depending on system configurations)

Viscosity Range:

- ISO VG 2-680 at 100°F

Frame:

Heavy-duty rectangular tubing

Lifting Eye Bolts:

Allows for easy lifting and maneuverability

Gauges:

Pump pressure and differential pressure gauges

Strainer:

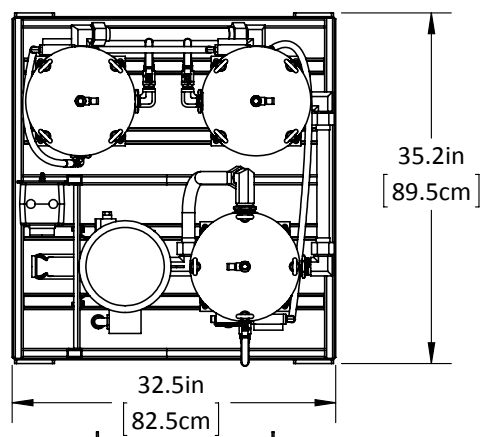
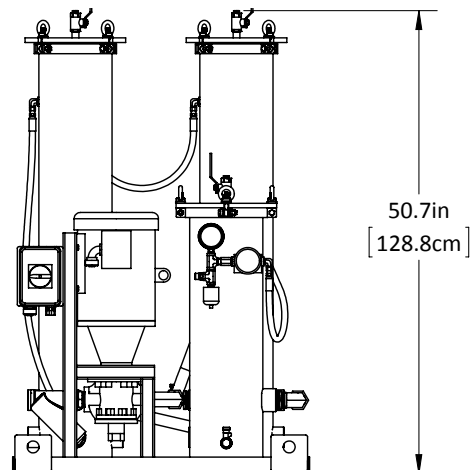
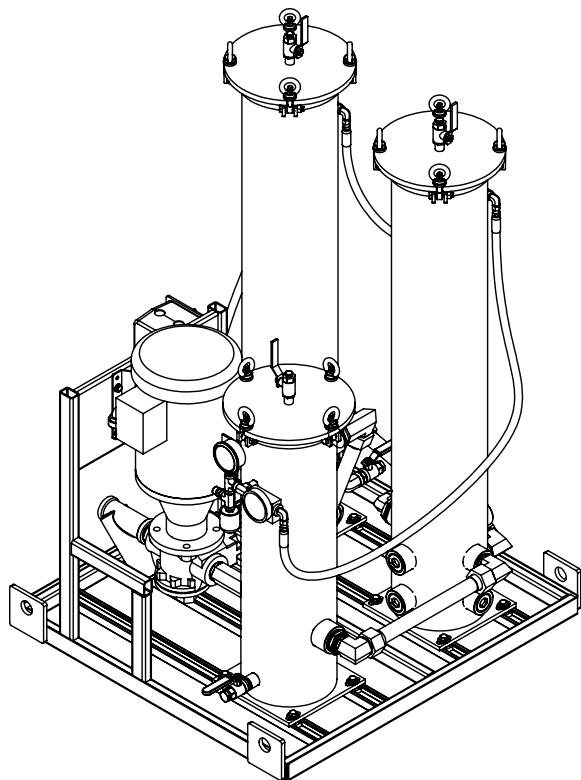
To protect the pump

Colors:

Standard is black; customizable colors available at no extra charge

Specifications

Example of a Three-Canister System:



Did You Know?

A T-stand is usually the best choice for improving equipment reliability. This is a permanently installed and always-on filtration system that cleans the oil and then keeps the oil clean.

