

Off-Line Units - A & B Series

The off-line filtration units (OLU) provide best-in-class low-flow filtration for a majority of industrial applications.



FEATURES:

- Multiple power supply configurations
- Designed for continuous duty and 24/7 operation
- Modular design suitable for reservoir volumes up to 2,900 gallons / 11000 liters
- Fits various filter types and different micron ratings without any modifications
- Optional add-ons for on/off control, indicators & drip trays
- Available in various flow rates for perfect fit on every application

PERFORMANCE SPECIFICATIONS:

	OLU1A	OLU1B	OLU2A	OLU2B	OLU4A	OLU4B
Dry Weight	31 lbs (14 kg)	40 lbs (18 kg)	46 lbs (21 kg)	66 lbs (30 kg)	86 lbs (39 kg)	152 lbs (69 kg)
Nominal Flow Rate	0.5 gpm (2 l/min)	1 gpm (4 l/min)	1 gpm (4 l/min)	2 gpm (8 l/min)	2 gpm (8 l/min)	4 gpm (16 l/min)
Oil Temperature Range	up to 176°F (80°C) - Contact Des-Case representative for other oil temperatures					
Viscosity Range	59 - 2316 SSU (10 - 500 cSt) - Filter element dependent (Contact Des-Case representative for higher viscosities compatibility)					
Protection Class & Power Supply	IP55 - See ordering code					
Filter Media	Depth, glass fiber and water absorbing - See ordering code					
Max. Working Pressure	218 psi (15 bar)					
By-Pass Openings Pressure	90 psi (6.2 bar)					
Max. Recommended Reservoir Volume	360 gal (1350 L)	710 gal (2700 L)	710 gal (2700 L)	1,400 gal (5400 L)	1,400 gal (5400 L)	2,900 gal (10800 L)
Fluid Compatibility	Hydraulic and synthetic fluids according to DIN 51524, 51525. (Contact Des-Case representative for other fluid compatibility)					
Materials						
Housing	Anodized Aluminum					
Manifold, Lid	Aluminum					
Seals	NBR, FPM (Ordering code dependent)					
Mounting Plate, Drip Tray	Galvanized Steel, Stainless Steel					
Wetted Parts	Steel and Aluminum					

*Note: Small variations in the manufacturing process can be common and will be within the allowable engineering tolerances. All above data is nominal and provided for information only and subject to change. All metric conversions are approximate.

Typical Applications:

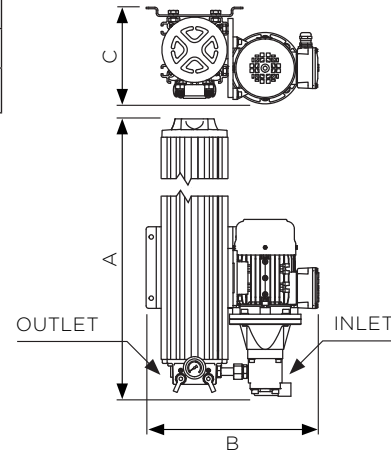
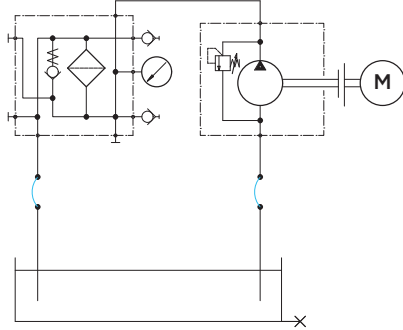
- Injection Molding Machines
- Extrusion Machines
- Industrial Presses
- Rolling Mills
- Wind Turbine Brake & Pitch
- General Hydraulic Power Units

Typical Industries:

- Steel & Aluminum
- Pulp & Paper
- Plastics
- Manufacturing
- Petrochemical
- Marine & Offshore
- Mobile Equipment
- Mining
- Power Generation
- Wind

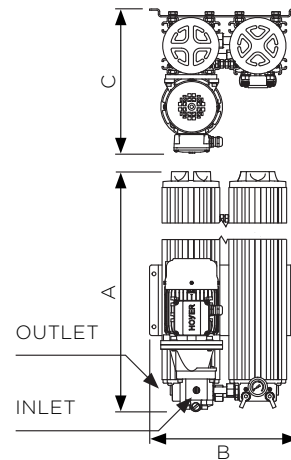
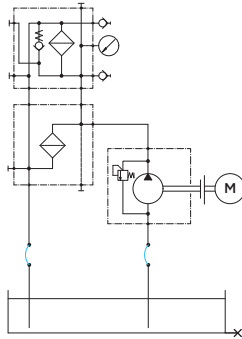
DIMENSIONS & HYDRAULIC DIAGRAM OLU1A & OLU1B (STANDARD UNIT)

	A (in / mm)	B (in / mm)	C (in / mm)	INLET	OUTLET
OLU1A	16.7 / 423	13.3 / 337	7.5 / 190	G 3/8" FEMALE	G 1/2" FEMALE
OLU1B	28.7 / 728	13.3 / 337	7.5 / 190	G 1/2" FEMALE	G 1/2" FEMALE



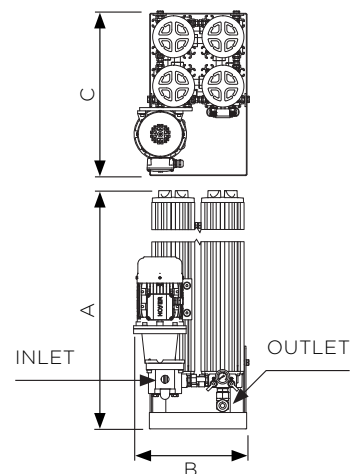
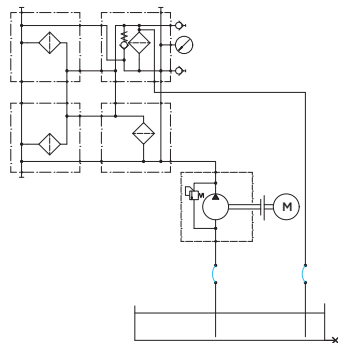
DIMENSIONS & HYDRAULIC DIAGRAM OLU2A & OLU2B (STANDARD UNIT)

	A (in / mm)	B (in / mm)	C (in / mm)	INLET	OUTLET
OLU2A	16.7 / 424	13.4 / 340	12.8 / 325	G 1/2" FEMALE	G 1/2" FEMALE
OLU2B	28.7 / 729	13.4 / 340	12.8 / 325	G 1/2" FEMALE	G 1/2" FEMALE



DIMENSIONS & HYDRAULIC DIAGRAM OLU4A & OLU4B (STANDARD UNIT)

	A (in / mm)	B (in / mm)	C (in / mm)	INLET	OUTLET
OLU4A	20.6 / 524	13.6 / 345	19.7 / 501	G 1/2" FEMALE	EW 22L MALE
OLU4B	32.8 / 832	13.8 / 351	19.7 / 501	G 3/4" FEMALE	EW 22L MALE





Ordering Codes

OLU										
Box 1	Box 2	Box 3	Box 4	Box 5	Box 6	Box 7	Box 8	Box 9	Box 10	

Basic Configurations [Box 1]	
Code	Description
OLU	Off-Line Unit - Industrial Application

Housing Configurations [Box 2]		
Code	Housing Configuration	Typical Reservoir Size
1A	Single housing (single length)	0 - 360 gal (1350 L) reservoir
2A	Twin housing (single length)	0 - 710 gal (2700 L) reservoir
4A	Quadruple housing (single length)	0 - 1430 gal (5400 L) reservoir
1B	Single housing (double length)	0 - 710 gal (2700 L) reservoir
2B	Twin housing (double length)	0 - 1430 gal (5400 L) reservoir
4B	Quadruple housing (double length)	0 - 2850 gal (10800 L) reservoir

Element Length [Box 3]	
Code	Description
30	12 in (300 mm)
60	24 in (600 mm)

Filter Material [Box 4]		
Code	Filter Material	Recommended Viscosity Range
H	Cellulose 0.5 micron, bottom seal	10 - 180 cSt
N	Cellulose 0.5 micron, No bottom seal	
G1	Microglass 1 micron; $\beta_4(c) > 1000$	10 - 500 cSt
G3	Microglass 3 micron; $\beta_5(c) > 1000$	
G6	Microglass 6 micron; $\beta_7(c) > 1000$	
G10	Microglass 10 micron; $\beta_{10}(c) > 1000$	10 - 500 cSt
A1	Microglass and water absorbing Polymer 1 micron; $\beta_1(c) > 200$	
A5	Microglass and water absorbing Polymer 5 micron; $\beta_5(c) > 200$	

Seal Material [Box 5]	
Code	Description
B	Buna-N / NBR (standard)
V	Viton / FPM

E-Motor Options [Box 6]	
Code	Description
O	230 / 400 VAC 50 Hz / 3 phase (standard) 255 / 460 VAC 60 Hz / 3 phase
A	230 VAC 50 Hz / 1 phase
B	24 VDC
C	110 VAC 50 Hz / 1 phase
D	110 VAC 60 Hz / 1 phase
E	230 / 400 VAC 50 Hz, IP65 / 3 phase
F	230 VAC 60 Hz / 1 phase
H	690 VAC 50 Hz / 3 phase
P	200 / 346 VAC 50/60 Hz / 3 phase



Pump Options [Box 7]				
Code*		Standard For 50 Hz Motor		
Without Suction Filter	With Suction Filter	Standard For	Pump Displacement	Nominal Flow
00	00A	OLU1A	1.6 cc / rev.	0.55 gpm (2.1 l/min)
10	10A	OLU2A / OLU1B	3.15 cc / rev.	1.1 gpm (4.2 l/min)
20	20A	OLU4A / OLU2B	6.1 cc / rev.	2.2 gpm (8.2 l/min)
30	30A		8.2 cc / rev.	2.9 gpm (11 l/min)
40	40A	OLU4B	12.0 cc / rev.	4.3 gpm (16.1 l/min)
60	60A		1.0 cc / rev.	0.34gpm (1.3 l/min)
Standard For 60 Hz Motor				
01	01A	OLU1A	1.0 cc / rev.	0.42 gpm (1.6 l/min)
11	11A	OLU2A / OLU1B	2.5 cc / rev.	1.08 gpm (4.1 l/min)
21	21A	OLU4A / OLU2B	5.0 cc / rev.	2.2 gpm (8.2 l/min)
41	41A	OLU4B	10.0 cc / rev.	4.3 gpm (16.4 l/min)
Other Pumps				
S	SA		Special pumps (Contact Des-Case representative)	

*Pumps with displacement 8.2 cc and larger produce noise that can be perceived as disturbing. If the unit is going to be used in a quiet environment, contact Des-Case representative.

Indicator Options [Box 8]	
Code	Description
0	Pressure gauge (standard)
1	Additional electrical pressure switch
2	Additional electrical pressure differential switch
6	OQS prepared
7	CMS prepared
8	OQS and OQD prepared

Control Box Options [Box 9]	
Code	Description
0	No control box (standard)
4	Control box incl. on/off and motor protection relay(s)
6	Control box incl. on/off, motor protection relay(s) and 24 VDC

Drip Tray Options [Box 10]	
Code	Description
0	No drip tray (standard)
D*	Drip tray
M	Mobile frame

*Option required when code 4A or 4B is selected in Box 2