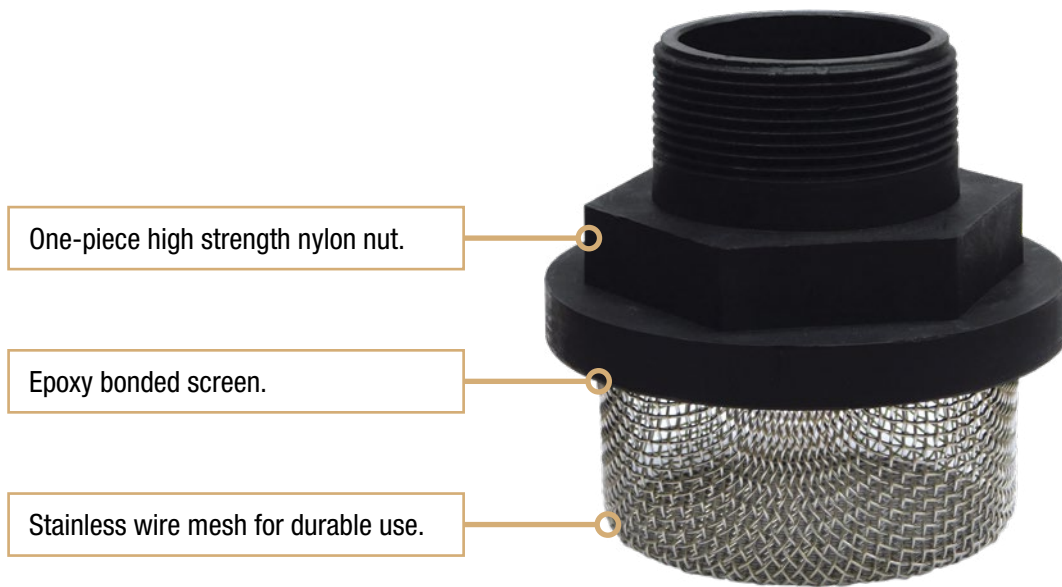


## Pipe Mounted Suction Screen - Male



### Benefits

- Reliable, low-cost screens fit on the end of hose or pipe applications
- Threaded onto vent openings for air, vacuum, and water
- Can be used for straining oil, paints, chemicals or water
- Stainless construction prevents rust

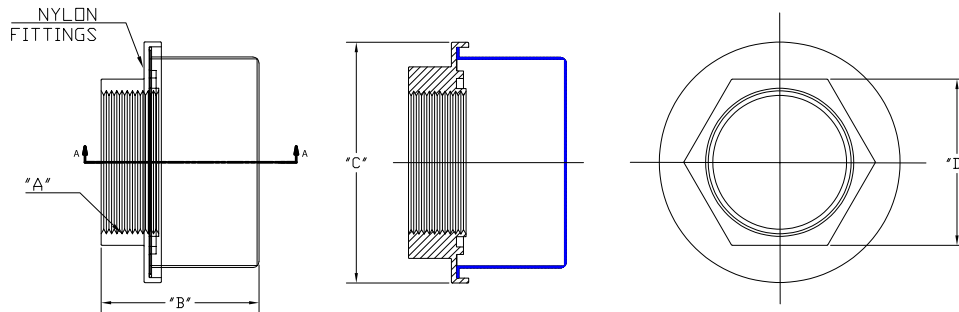
### Features

- Pipe sizes available are up to 3"
- Mesh sizes ranging from 4 to 200 mesh
- 60, 100 and 200 mesh screens are backed up with a 30 mesh inner support
- Durable one-piece nylon hex coupling for reduced cost

# Pipe Mounted Suction Screen - Male

Part Number	"A" NPT Size	"B" Length	"C" Diameter	"D" Hex Head Width
IS-M-3/8-1.9	3/8	2.00	1.94	1.06
IS-M-1/2-1.9	1/2	2.20	1.94	1.06
IS-M-3/4-2.7	3/4	2.35	2.70	1.38
IS-M-1-2.7	1	2.45	2.70	1.75
IS-M-1-1/2-4.0	1-1/2	3.70	4.00	2.50
IS-M-2-4.0	2	3.75	4.00	3.00
IS-M-2-1/2-5.2	2-1/2	4.85	5.20	3.54
IS-M-3-5.2	3	4.95	5.20	3.75

All dimensions are in inches and for reference only.



## Filter Mesh: 20 Mesh is Standard

Mesh Suffix XXX	Mesh Opening Microns	Open Area (%)
4	4760	.1870
6	3360	.1320
8	2380	.0937
10	2000	.0787
20	841	.0331
30	570	.0232
40	400	.0165
60/30	250	.0098
100/30	149	.0059
200/30	74	.0029

## How to Order: 2" NPT Male 4.0" nut diameter 10 mesh = IS-M-2-4.0-10

Part Number	Mesh
IS-M-2-4.0	10
*60, 100 and 200 mesh supplied with 30 mesh support screens	