

FLUID HANDLING

VaporGuard™

Oil Mist Adapter

Trap oil mist from lubricated gearboxes, hydraulics and bearing housings.



Overview

Key Benefits

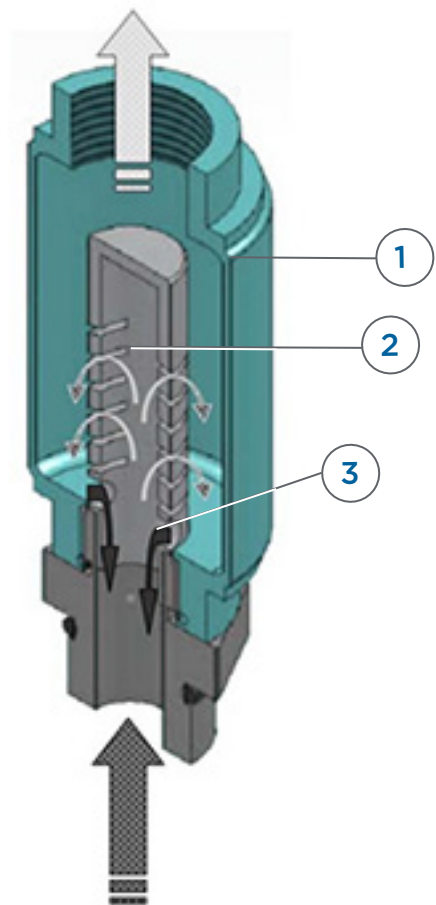
- Traps oil mist from lubricated gearboxes, hydraulics and bearing housings before it can damage your desiccant breather
- Saves oil that would normally be lost through the vent port by capturing and diverting it back to the equipment

Solving the Problem

- VaporGuard™ is threaded directly into the female vent port
- Migrating vapors are contained inside the VaporGuard™
- The air, purged of oil mist by VaporGuard, exits through the vent port
- The condensed oil mist inside VaporGuard is returned to the bearing housing to continue lubricating the bearing
- The complete diffuser post assembly can be easily removed from the oil mist adapter, inspected, cleaned and reinstalled for continued vapor control

Material:

- Gold Anodized Aluminum 6061-T6511
- Aluminum 6061-T6511
- Zinc Plated Steel
- Buna-N

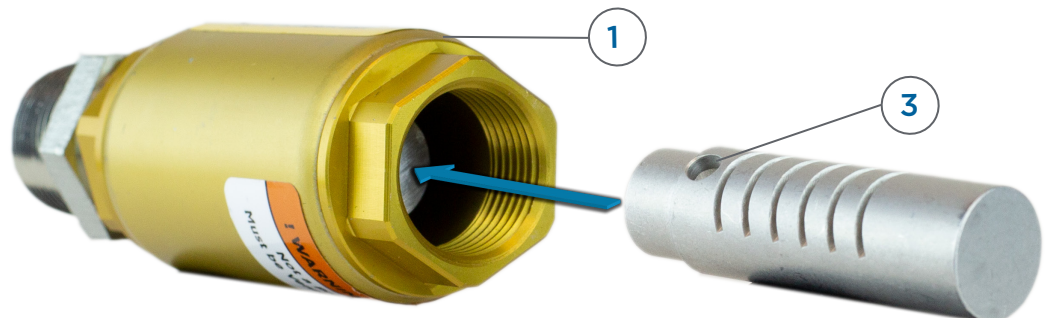


By the Numbers:

1-Sealed Aluminum Containment Chamber

2-Diffuser Post

3-Bleed Back Holes



To Order:

VaporGuard™ Oil Mist Adapter

DC-OVG	BOX 1	BOX 2	BOX 3
---------------	-------	-------	-------

VaporGuard™ Length [Box 1]

Code	Description
6200	Single - 4.75" (120.65mm)
6220	Double - 6.75" (171.45mm)

Equipment Threaded Mount Size [Box 2]

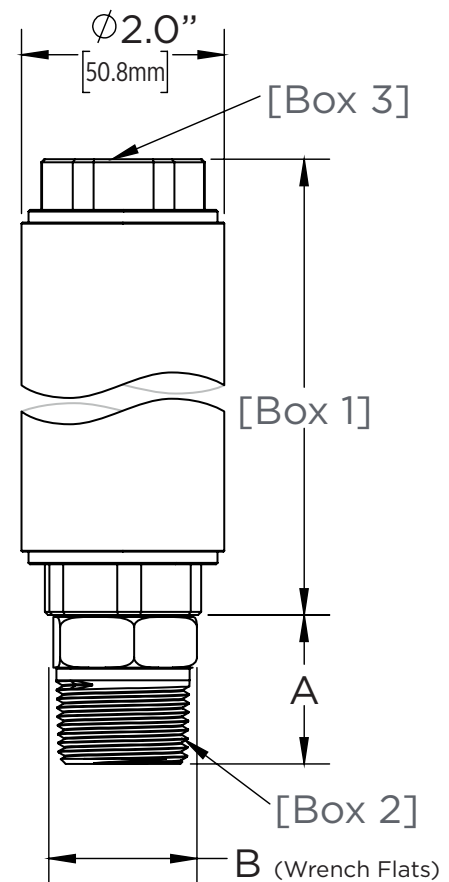
Code	Description
38	3/8" NPT
10	1" NPT
125	1-1/4" NPT

NOTE: All connectors are bottom male ends

Breather Connection Port/Size [Box 3]

Code	Description
38	3/8"
00	1"

NOTE: All threaded female top ports



Box 2	A in (mm)	B in (mm)
38	1.062 (27)	1.256 (31.9)
10	1.45 (36.8)	1.364 (34.7)
125	1.5 (38.1)	1.625 (41.3)

Example:

Part code for double length OVG with 3/8" NPT Bottom and 1" NPT Top is

DC-OVG-6220-3800